



## AAM Competition Q50-Q60 Silicone Hose Kit



# INSTALLATION INSTRUCTIONS

(DESIGNED FOR ONLINE USE AND COLOR PRINTING)

---

### \*\*\*WARNING: PRODUCT(S) ARE DESIGNED FOR OFF-ROAD / COMPETITION USE ONLY\*\*\*

Read all directions before attempting installation. This product requires above average mechanical ability to install properly, professional installation recommended. Installation requires appropriate tools for proper installation of this kit. As with all mechanical projects, take appropriate precautions for your personal safety and for the proper care and treatment of the vehicle being serviced. AAM Competition, LLC offers no warranty and accepts no liability caused by improper installation, modification and/or use of this product. Installation may void factory's manufacturer's warranty. Contact AAM Competition LLC or an authorized Dealer with questions or problems regarding this product. When removing Stock/OEM parts read and follow the factory service manual for proper procedures. *Copyright AAM Competition, LLC 2016*



**Tools Needed:**

- Trim clip removal tool
- Pick tools
- Pliers
- Air Lift/Vacuum Venturi system
- Drain pan
- Hose clamp replacement tools (optional)

---

**WARNING: USE OF POWER TOOLS DURING INSTALLATION MAY CAUSE DAMAGE. WE RECOMMEND THE USE OF HAND TOOLS ONLY DURING INSTALLATION.**

**Note: “Left Side” and “Right Side” of vehicle is from the perspective of sitting in the driver seat of the vehicle and looking forward**

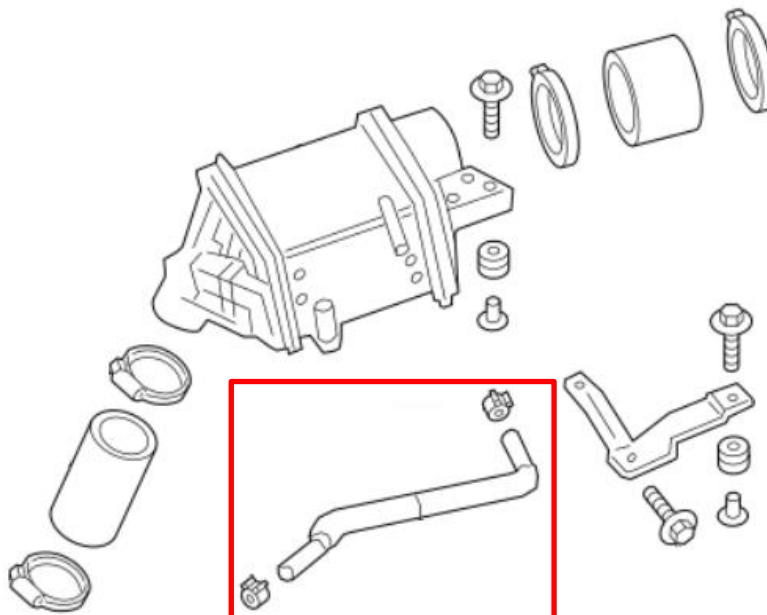
---

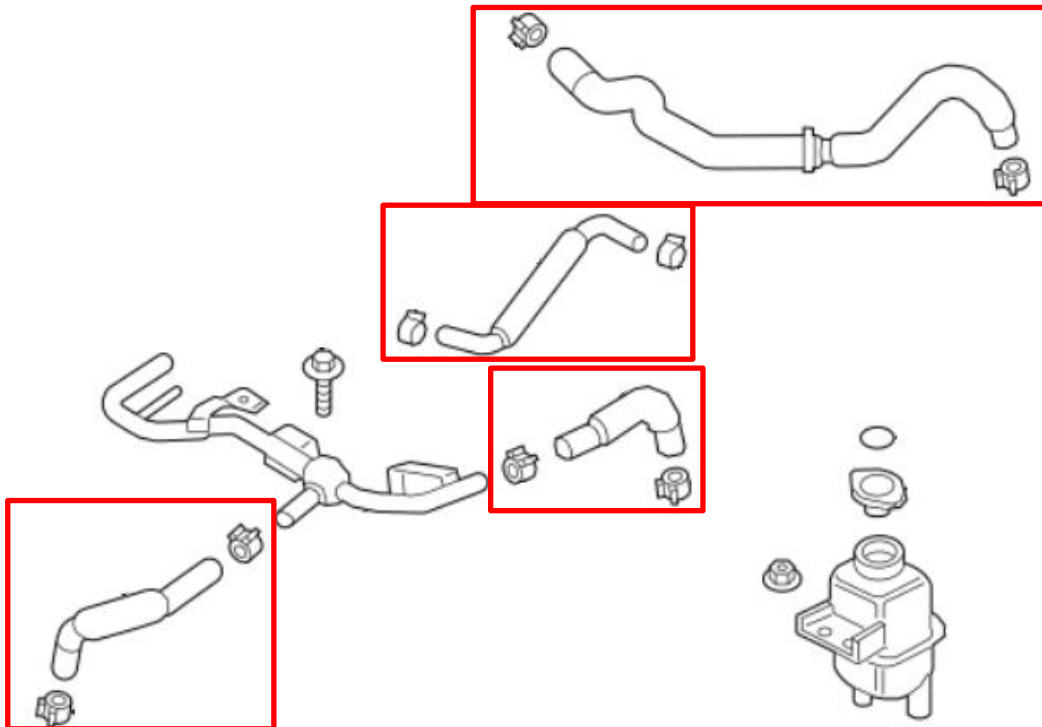
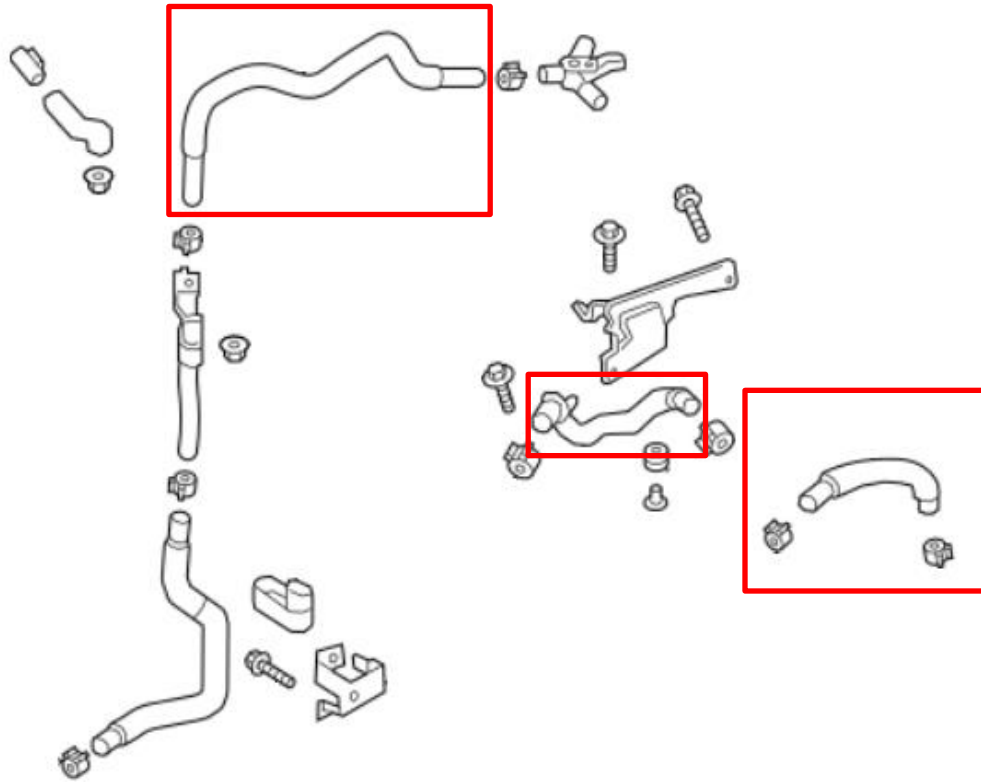
**Installation**

**General:**

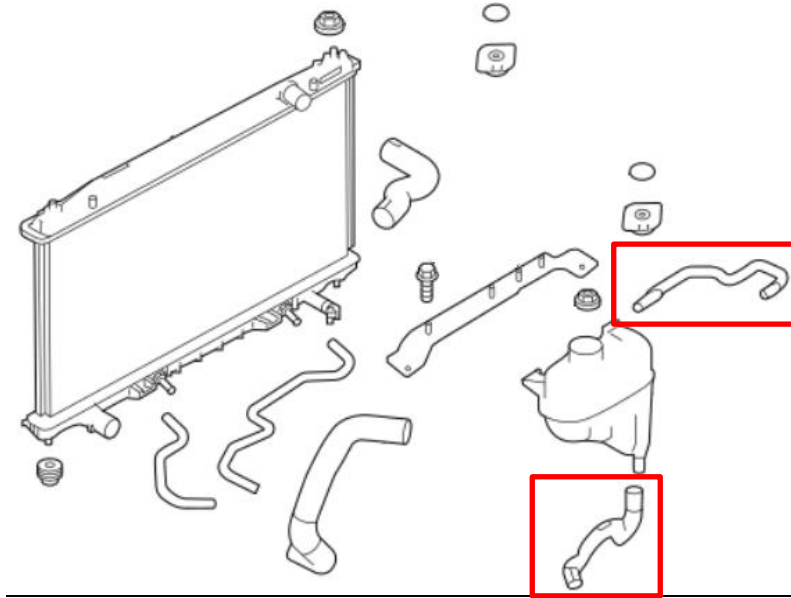
For your safety, make sure the engine and hoses are cool to the touch, then remove the engine cover. System will require bleeding after replacing hoses. Products may look different than what is shown in diagrams.

**Intercooler:**

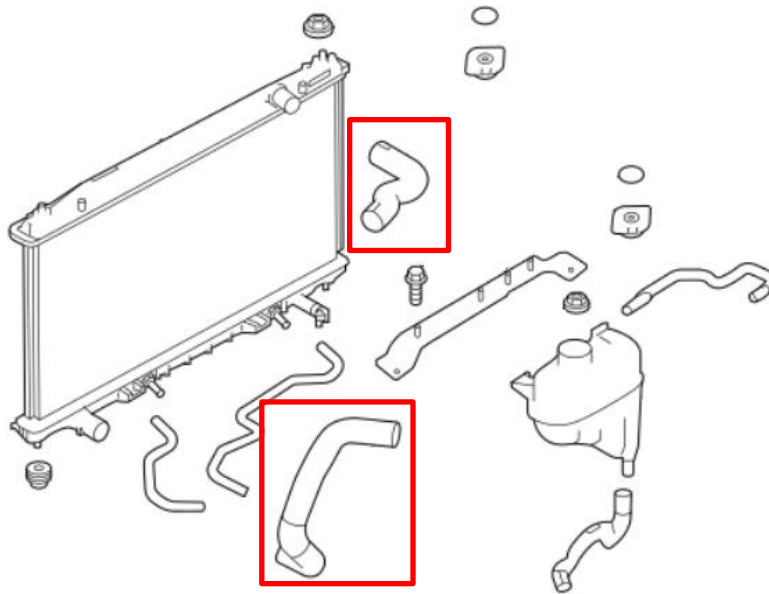




**Overflow Tank:**



**Radiator Kit:**





**Congratulations!**  
**You have successfully installed your AAM Competition Silicone Hoses! Enjoy!**